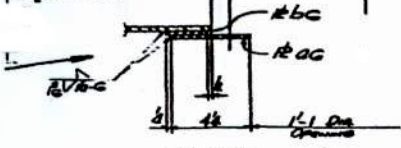
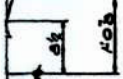


2x11 1/2 TYP FOR G-74 MS. (SEE DIMS) ON 1 1/2\"/>

R-100 (F2)
R-100 (F3)



NO SCALE

FOR DETAIL SEE SECT. E-11

NOTE: (TYPICAL)
1/4\"/>

1 TYPICAL 1/2\"/>

FLOOR PLATE PLAN @ SECOND LEVEL
TOP - R 960'-0

DETAIL SHT. E FROTHING SHT.
FOR SHT. DETAILS NOT SHOWN SEE CORRESPONDING SHT. MARK

FLOOR PLATE - PLAN (2x)
DATE
SCALE
PROJECT
BY
CHECKED
APPROVED

JAN 2

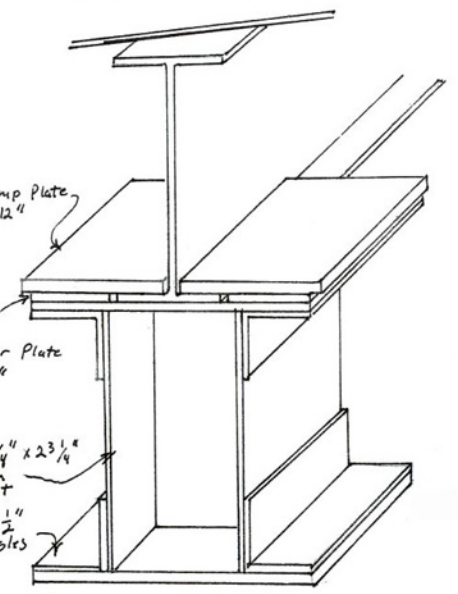
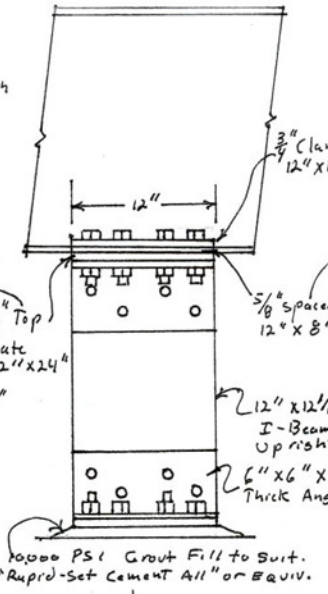
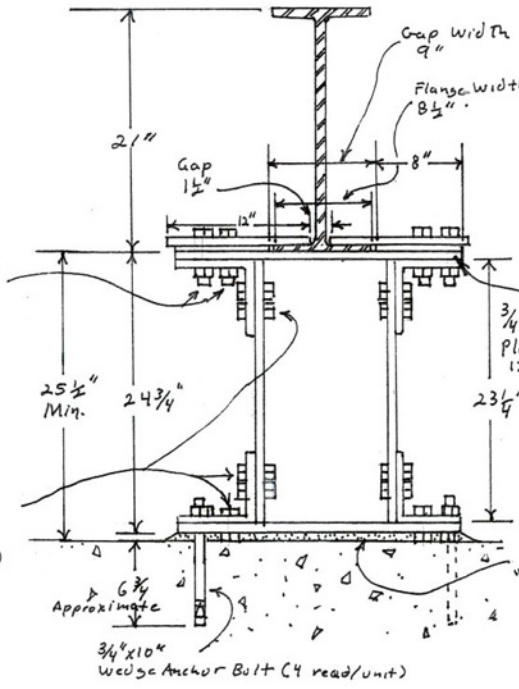
Sectional Elevation

Side Elevation

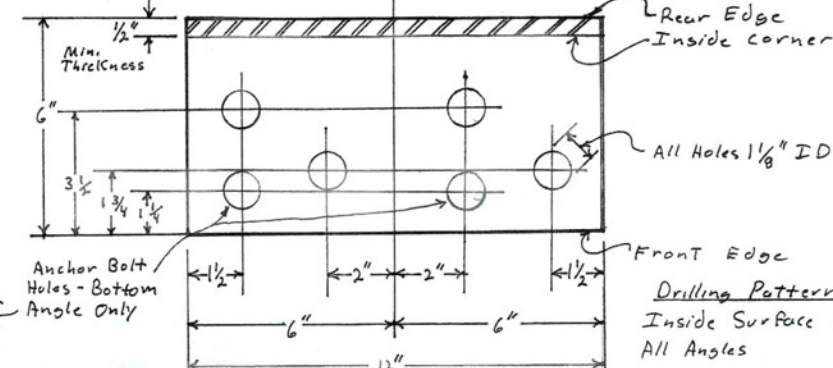
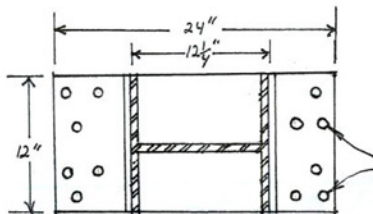
Isometric (Bolts Not Shown)

1"x4"
Grade 5
bolts common nuts
washers
8 required /unit

1" x 2 1/2"
grade 5
bolts common nuts
washers
(24 required per unit)



Sectional Plan



Anchor Bolt Holes - Bottom Angle Only