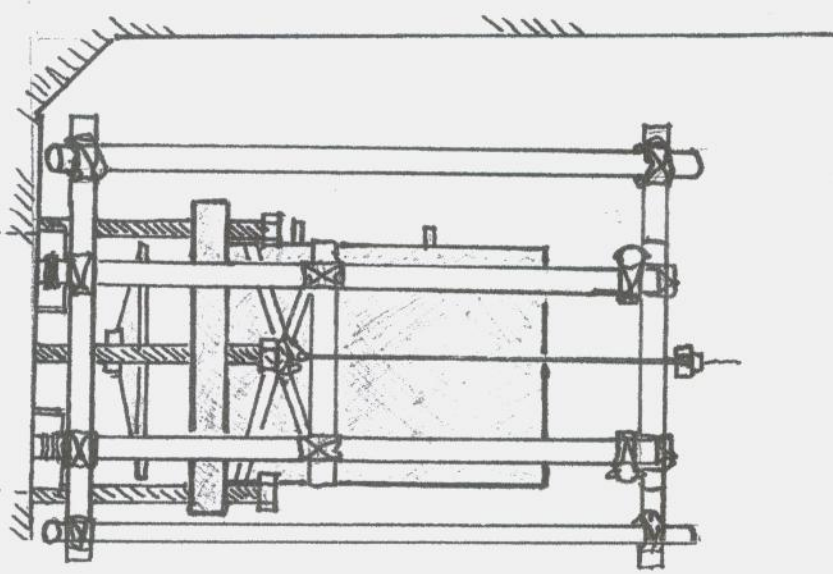


Dimensions
Approximate:

8'10" Stairwell
10'0" LCC at Normal Level
11'8" LCC crib on Setting Piers

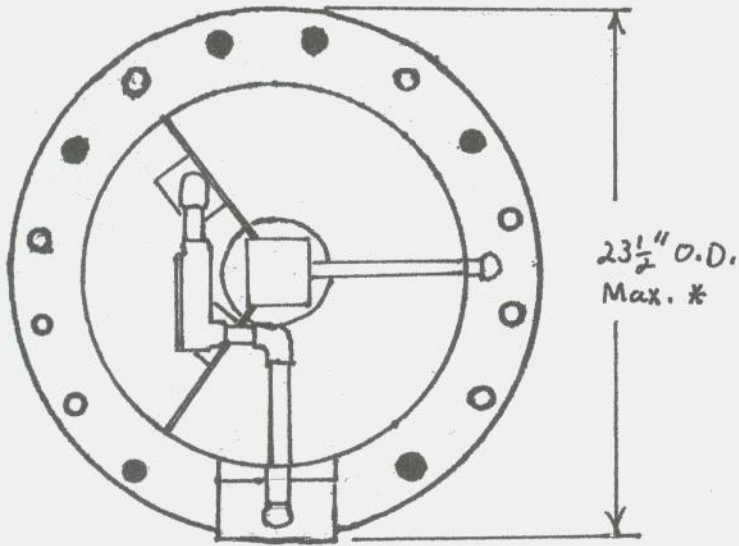
Parts List	
1 1/2" Dia x 9' Thr.	2
1 1/2" Dia x 8'9"	2
1 1/2" Dia x 70" Drilled	2
1 1/2" Dia x 46" Drilled	2
1 1/2" Dia x 36"	4
1 1/2" Dia x 12" Nipple	4
1 1/2" Coupling	4
1 1/2" Pipe Clamps	14
1/2" x 3" Bolt w/ Nut	4
Angle Plates	2
1" x 18" Bolts	6
1" x 2" Bolts	2
Chain w/ Hook	1
3/4" Shackle	1
Lifting Strap	1
2" Binding Strap	2
Cable Puller	1



Unit Configuration	Stairwell	LCC Intake	LCC Exhaust	LCC Intake *	LCC Exhaust *
Uprights	8'9"	9'	9'	9'	9'
12" Ext.	-	1	1	1	2
Horiz. Beam	46"	70"	70"	70"	70"
Diag. Brace	9'	8'9"	8'9"	8'9"	8'9"

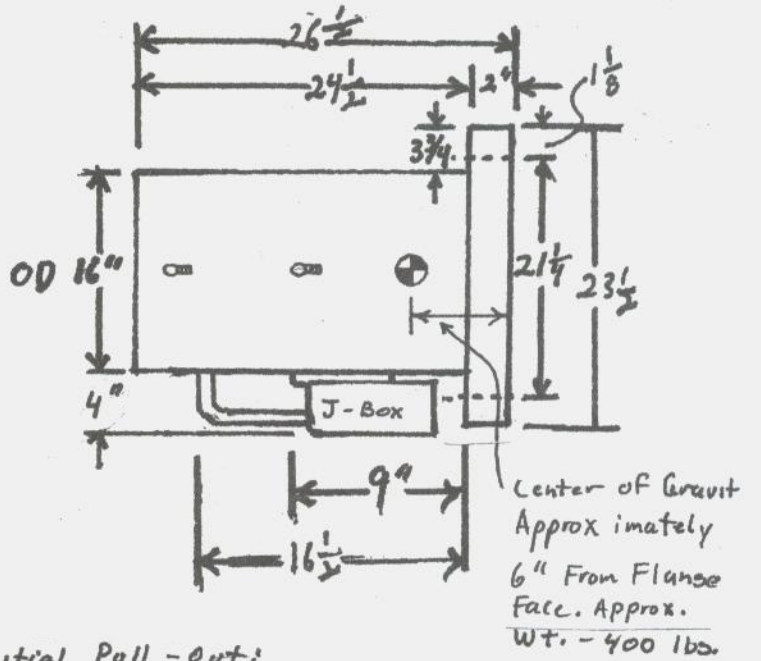
* LCC Crib on Setting Piers

End View



* Note: Max. O.D. Must not exceed 23 1/2" if Valve is to be LIFTed out Thru Escape Shaft. (Remove J-Box if Needed)

Approximate Dimensions



Initial Pull-out:

Position of Binding Strap to support Valve Body

Wall Mounting Plate

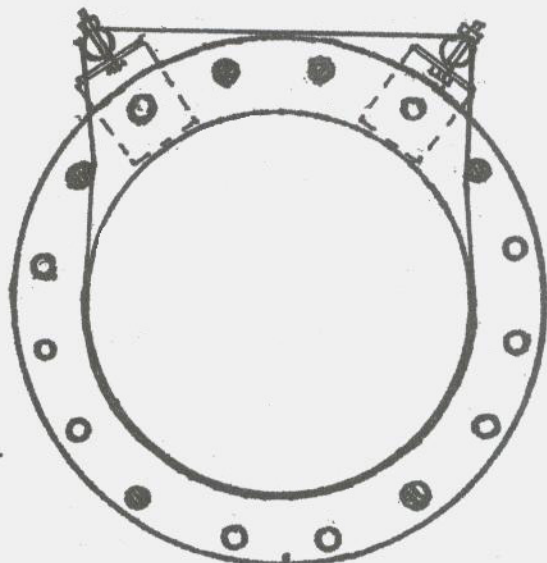
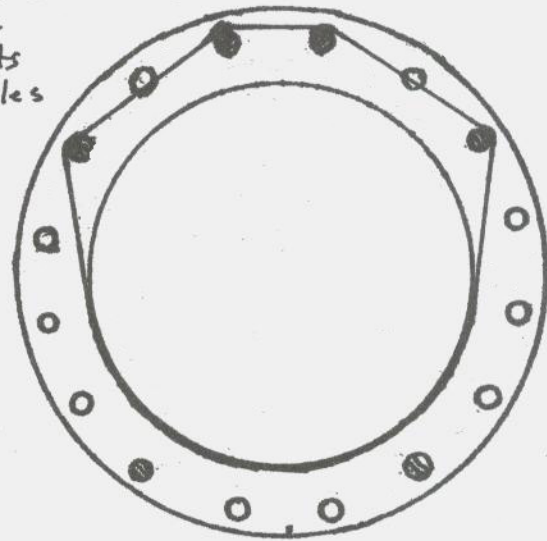
Install Angle Plates with 1" x 2" Bolts in These Holes

Install 6 1" x 18" Bolts in These Holes

opening I.D. 19"

16 Holes Threaded 1"-8 UNC

Bolt Circle 24 1/4 O.C.



Position of Second Binding Strap to Support Valve Body - After Angle Plates installed and Before Removal of Support Bolts.

